

# DATASHEET

## Locking Connector IEC-Lock+ C13 for Cable Assembly

Art.-No. EK633.1

**Guards against accidental disconnection of Computers, PDUs, Servers and most Network Devices**



**SLIM DESIGN**

**EASY TO REMOVE**

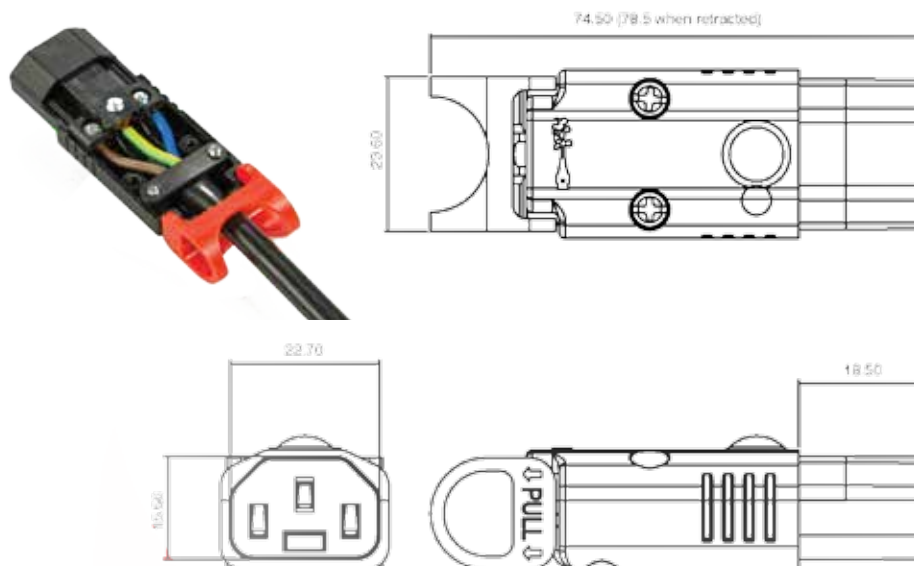
**EASY TO IDENTIFY**

### Common Specifications

- Connector can not be accidentally pulled or vibrated out of any Standard C14 IEC inlet
- Requires no other equipment or special inlets to secure it
- Rewireable - offering total flexibility when assembling cables
- Can be retrofitted
- Low smoke zero halogen (LSZH)
- Rated voltage 250 V / 10 A

Cable Sizes:
3 x 0.75 mm <sup>2</sup>
3 x 1.00 mm <sup>2</sup>
3 x 1.25 mm <sup>2</sup>
3 x 1.50 mm <sup>2</sup> (Max)
3 x 14-18 AWG

### Technical Drawing



Test Information
Test Body: KEMA, UL
Test Standards:
KEMA-KEUR
EN60320-1:2001+A1:2007
UL 60320-1 / CSA C.22.2 No 60320-1

Patents
EU Patent No. EP14594121

### Ordering Data

Art.-No.	Description
60319.1	Locking Connector IEC-Lock+ C13 for Cable Assembly

Art.-Nr.	60319.1	Datei	60319_1.indd		
Beschreibung	Abzugssichere Kaltgerätebuchse IEC-Lock+ C13, für Kabelmontage				
Erstellt	Datum	Letzte Revision	Datum	Geprüft	Datum
MN	10.05.2017	MN	10.05.2017	MN	10.05.2017